

RS CC1W WHT BLK & RS CC1W BGE BLK REAR SEAT Installation Instructions For Club Car 1982-2000.5



BUGGIES
UNLIMITED

CAUTION – Wear safety glasses – Unhook battery
Note: DO NOT tighten any bolts until installation is complete.

- ❑ Remove bag holder assembly and inspection cover – remove rear bumper and rear top struts. Remove seat backs and retain screws for reuse
- ❑ Install step plate to frame mount using 1 3/4" x 18 flange bolts
- ❑ Install u-bracket using 2 1/2" x 18 flange bolts
- ❑ Install back rest supports using 1 3/4" x 18 flange bolts
- ❑ Install cross member support arms using 2 1/4" x 18 flange bolts. NOTE: The arms mount to the outside of the back rest supports and to the inside of the u-bracket, using 2 1/4" x 18 flange bolts
- ❑ Mount the seat backs to the back rest supports using original screws
- ❑ Mount seat assembly to frame using 1 1/2" flange bolts
- ❑ Install the foot step support arms using 2 1/2" x 18 flange bolts for the top. Bottom uses 2 3/4" x 18 flange bolts
- ❑ Install the rear top supports using 2 3/4" x 18 flange bolts and reuse the original top bolts and nuts

Cross Member Supports
should be on inside of U-bracket



Mount U-Bracket using 2 1/2" Flange Bolts Step Plate



Cross Member
Supports should
be on outside of
back rest supports

Back Rest Supports 1 3/4" Bolts

Foot Step Support Arms



Seat Assembly



Front View



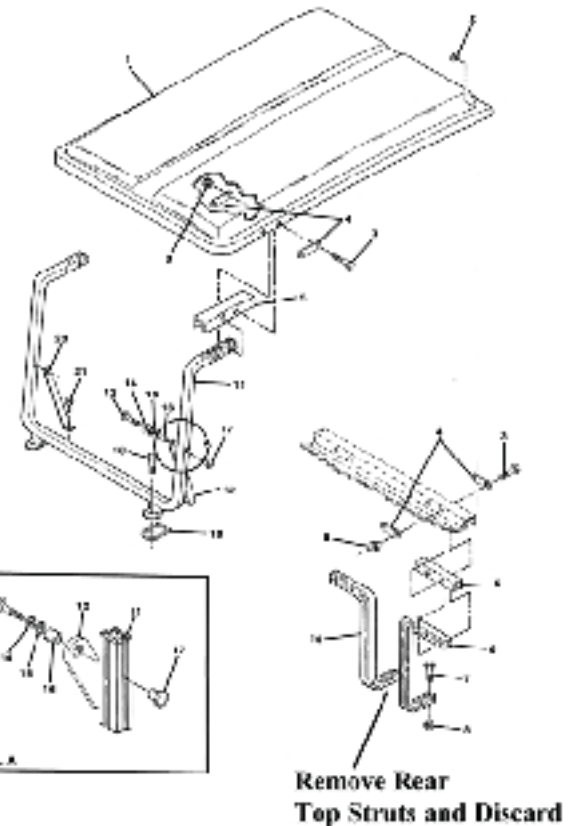
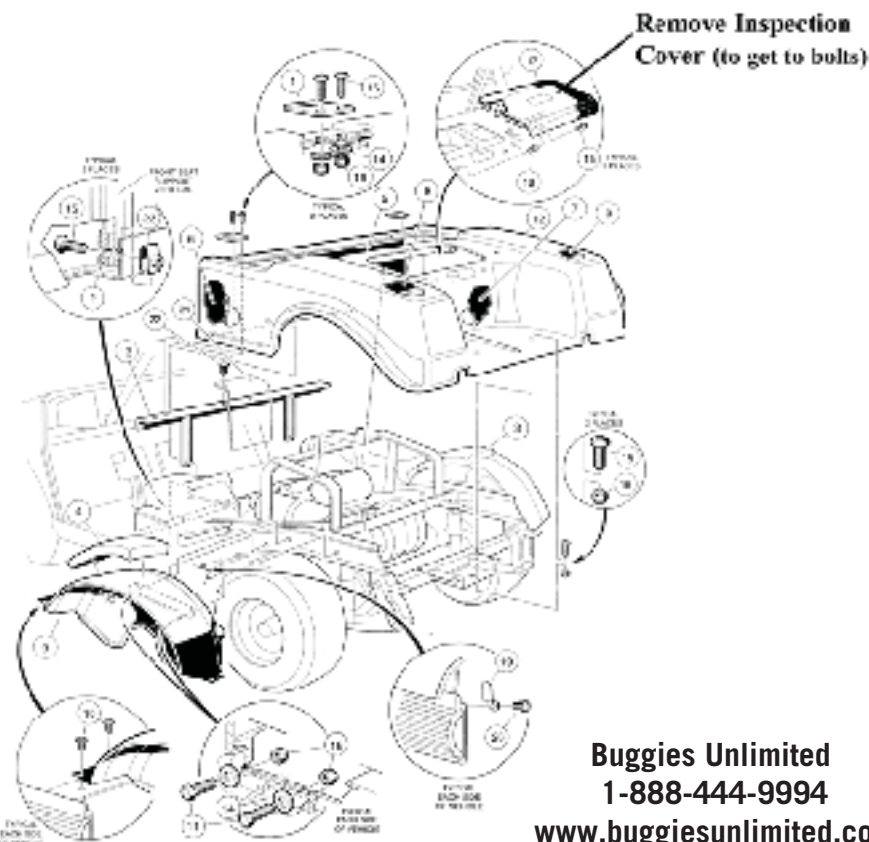
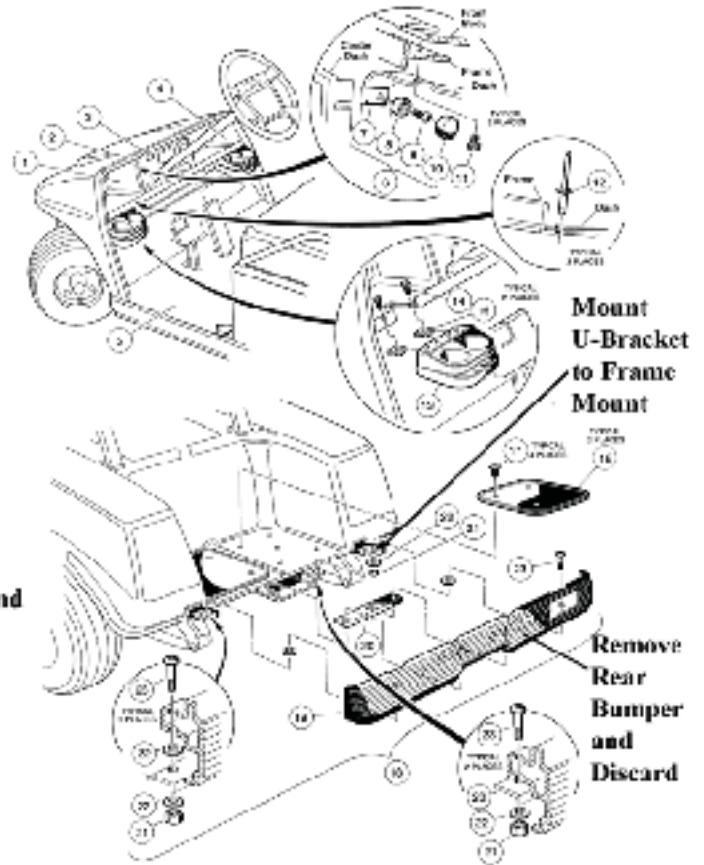
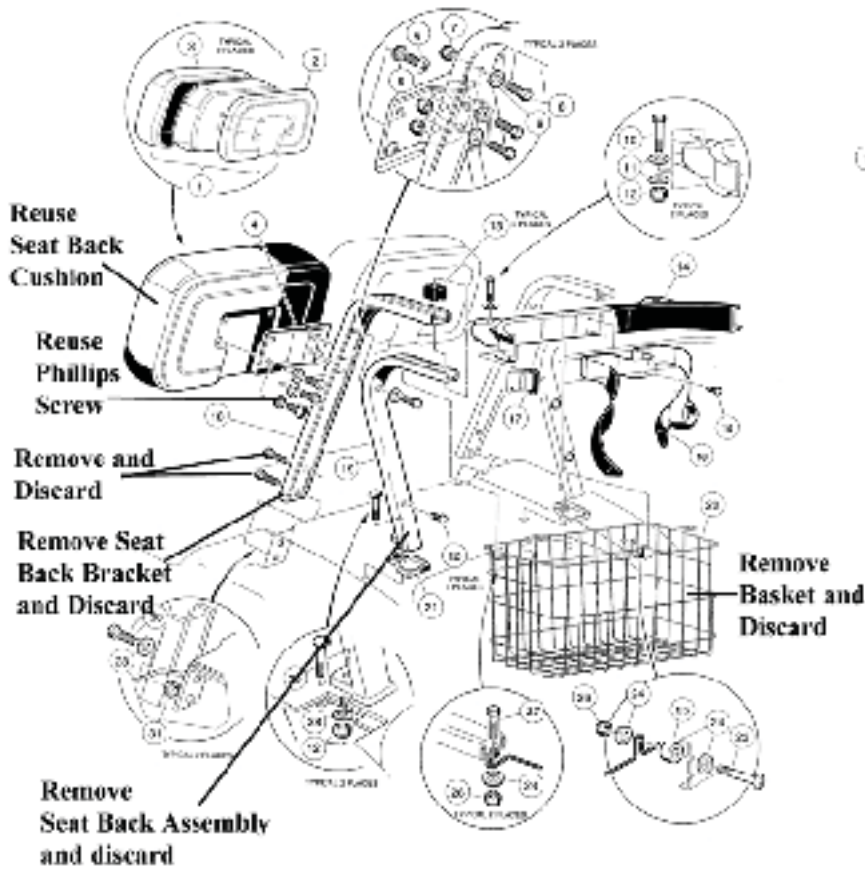
Side View

Buggies Unlimited
1-888-444-9994
www.buggiesunlimited.com

RS CC1W WHT BLK & RS CC1W BGE BLK REAR SEAT Disassemble Instructions For Club Car 1982-2000.5



BUGGIES
UNLIMITED



Buggies Unlimited
1-888-444-9994
www.buggiesunlimited.com